

Installation Specifications



This model offers you the following features & benefits:

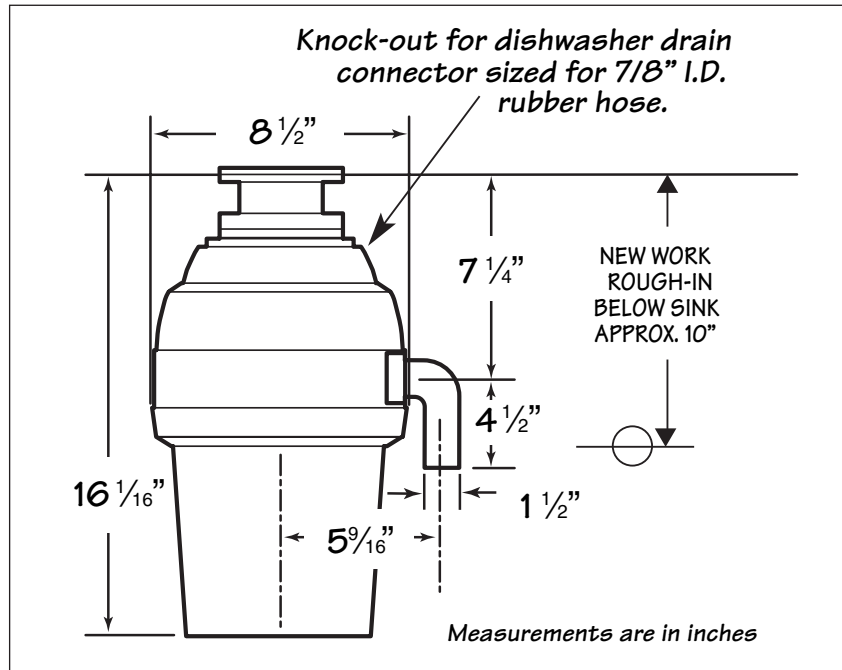
- High-speed 2800 r.p.m. permanent magnet motor produces more power per pound.
- Stainless steel grinding components.
- Professional 3-bolt mount system.
- Sound insulated for quiet operation.
- Safe for properly sized septic tanks.*
- Includes factory installed power cord.
- Longest warranties in the industry demonstrates our commitment to quality.

Limited LIFETIME in-home service warranty

Specifications subject to change without notice.



*A septic system designed to accommodate a dishwasher or washing machine can also accommodate a garbage disposer.



SPECIFICATIONS

Motor Horsepower	1 H.P.
Motor Speed R.P.M.	2800
Voltage	115
Hz	60
Current-Amps	7.0
Motor Type	Permanent Magnet
Power Cord	Attached
Sink Flange	Stainless Steel
Stopper	Positive Seal
Waste Elbow	ABS
Feed	Continuous
Grind Ring	Stainless Steel
Swivel Impellers	Cast Stainless Steel
Turntable	Stainless Steel
Hopper	Glass Filled Nylon
Grinding Chamber	Corrosion Proof Glass Filled Polyester
Bearings	Permanently Lubricated; Sleeve Type
Overload Protector	Manual Reset Type
Sound Dampening Shell	Yes - Foam Insulated
Shipping Weight (lbs.)	15.4
Pallet Quantity	100